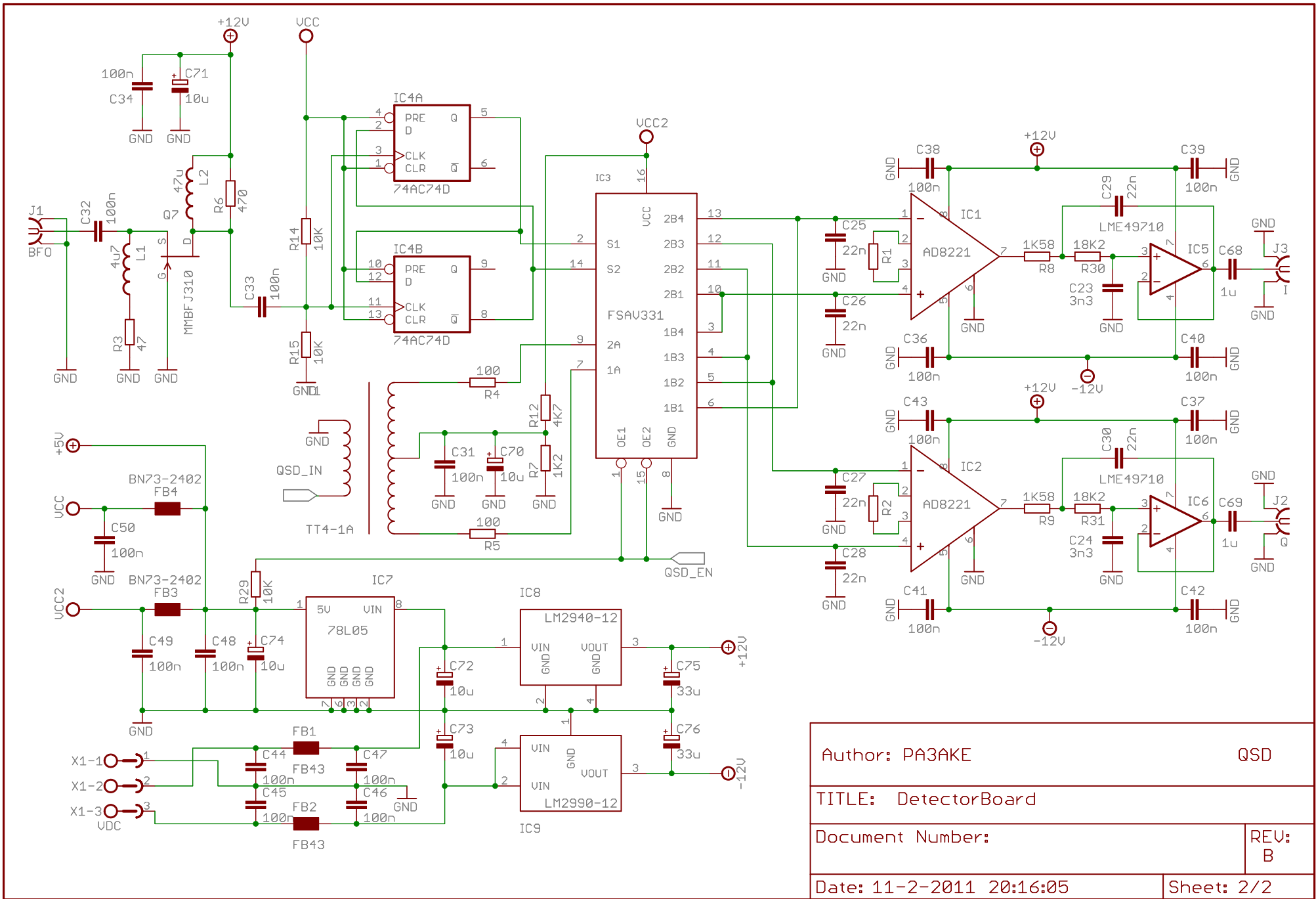


Author: PA3AKE		Noise Filters	
TITLE: DetectorBoard			
Document Number:			REU: B
Date: 11-2-2011 20:16:05			Sheet: 1/2



Author: PA3AKE		QSD	
TITLE: DetectorBoard			
Document Number:			REV: B
Date: 11-2-2011 20:16:05			Sheet: 2/2

## Detector Board Rev-B Partlist

Part	Value	Package	Description
-----Resistors-----			
R1	N/A	1206	(Generic Thick Film resistor)
R2	N/A	1206	(Generic Thick Film resistor)
R3	47	1206	(Generic Thick Film resistor)
R4	100 1%	1206	(Generic Thick Film resistor)
R5	100 1%	1206	(Generic Thick Film resistor)
R6	470	1206	(Generic Thick Film resistor)
R7	1K2	1206	(Generic Thick Film resistor)
R8	1K58 1%	1206	(Generic Thick Film resistor)
R9	1K58 1%	1206	(Generic Thick Film resistor)
R10	2K2	1206	(Generic Thick Film resistor)
R11	2K2	1206	(Generic Thick Film resistor)
R12	4K7	1206	(Generic Thick Film resistor)
R13	4K7	1206	(Generic Thick Film resistor)
R14	10K	1206	(Generic Thick Film resistor)
R15	10K	1206	(Generic Thick Film resistor)
R16	10K	1206	(Generic Thick Film resistor)
R17	10K	1206	(Generic Thick Film resistor)
R18	10K	1206	(Generic Thick Film resistor)
R19	10K	1206	(Generic Thick Film resistor)
R20	10K	1206	(Generic Thick Film resistor)
R21	10K	1206	(Generic Thick Film resistor)
R22	10K	1206	(Generic Thick Film resistor)
R23	10K	1206	(Generic Thick Film resistor)
R24	10K	1206	(Generic Thick Film resistor)
R25	10K	1206	(Generic Thick Film resistor)
R26	10K	1206	(Generic Thick Film resistor)
R27	10K	1206	(Generic Thick Film resistor)
R28	10K	1206	(Generic Thick Film resistor)
R29	10K	1206	(Generic Thick Film resistor)
R30	18K2 1%	1206	(Generic Thick Film resistor)
R31	18K2 1%	1206	(Generic Thick Film resistor)
-----Inductors-----			
L1	4u7	1210	(Generic SMD inductor)
L2	47u	1210	(Generic SMD inductor)
L3	2.3u	T50-10	(Micrometals T50-10, 25 turns, 0.5mm enameled)
L4	2.3u	T50-10	(Micrometals T50-10, 25 turns, 0.5mm enameled)
L5	1.5u	1210	(Generic SMD inductor)
L6	1.5u	1210	(Generic SMD inductor)
L7	1.5u	1210	(Generic SMD inductor)
L8	1.5u	1210	(Generic SMD inductor)

L9	1.5u	1210	(Generic SMD inductor)
L10	1.5u	1210	(Generic SMD inductor)

-Capacitors-----

C1	N/A	1206	(Generic COG,NP0 MLCC)
C2	N/A	1206	(Generic COG,NP0 MLCC)
C3	N/A	1206	(Generic COG,NP0 MLCC)
C4	3p3	1206	(Generic COG,NP0 MLCC)
C5	3p3	1206	(Generic COG,NP0 MLCC)
C6	10p	5.5x7.0mm, 2-pin	(Philips film trimmer, brown yellow)
C7	10p	5.5x7.0mm, 2-pin	(Philips film trimmer, brown yellow)
C8	10p	5.5x7.0mm, 2-pin	(Philips film trimmer, brown yellow)
C9	15p	1206	(Generic COG,NP0 MLCC)
C10	15p	1206	(Generic COG,NP0 MLCC)
C11	22p	1206	(Generic COG,NP0 MLCC)
C12	22p	1206	(Generic COG,NP0 MLCC)
C13	27p	1206	(Generic COG,NP0 MLCC)
C14	39p	1206	(Generic COG,NP0 MLCC)
C15	39p	1206	(Generic COG,NP0 MLCC)
C16	68p	1206	(Generic COG,NP0 MLCC)
C17	82p	1206	(Generic COG,NP0 MLCC)
C18	82p	1206	(Generic COG,NP0 MLCC)
C19	150p	1206	(Generic COG,NP0 MLCC)
C20	150p	1206	(Generic COG,NP0 MLCC)
C21	470p	1206	(Generic COG,NP0 MLCC)
C22	470p	1206	(Generic COG,NP0 MLCC)
C23	3n3	2.5x7.5, 5mm	(Generic Polyester film, MKT)
C24	3n3	2.5x7.5, 5mm	(Generic Polyester film, MKT)
C25	22n	2.5x7.5, 5mm	(Generic Polyester film, MKT)
C26	22n	2.5x7.5, 5mm	(Generic Polyester film, MKT)
C27	22n	2.5x7.5, 5mm	(Generic Polyester film, MKT)
C28	22n	2.5x7.5, 5mm	(Generic Polyester film, MKT)
C29	22n	2.5x7.5, 5mm	(Generic Polyester film, MKT)
C30	22n	2.5x7.5, 5mm	(Generic Polyester film, MKT)
C31	100n	1206	(Generic X7R MLCC)
C32	100n	1206	(Generic X7R MLCC)
C33	100n	1206	(Generic X7R MLCC)
C34	100n	1206	(Generic X7R MLCC)
C35	100n	1206	(Generic X7R MLCC)
C36	100n	1206	(Generic X7R MLCC)
C37	100n	1206	(Generic X7R MLCC)
C38	100n	1206	(Generic X7R MLCC)
C39	100n	1206	(Generic X7R MLCC)
C40	100n	1206	(Generic X7R MLCC)
C41	100n	1206	(Generic X7R MLCC)
C42	100n	1206	(Generic X7R MLCC)
C43	100n	1206	(Generic X7R MLCC)

C44	100n	1206	(Generic X7R MLCC)
C45	100n	1206	(Generic X7R MLCC)
C46	100n	1206	(Generic X7R MLCC)
C47	100n	1206	(Generic X7R MLCC)
C48	100n	1206	(Generic X7R MLCC)
C49	100n	1206	(Generic X7R MLCC)
C50	100n	1206	(Generic X7R MLCC)
C51	100n	1206	(Generic X7R MLCC)
C52	100n	1206	(Generic X7R MLCC)
C53	100n	1206	(Generic X7R MLCC)
C54	100n	1206	(Generic X7R MLCC)
C55	100n	1206	(Generic X7R MLCC)
C56	100n	1206	(Generic X7R MLCC)
C57	100n	1206	(Generic X7R MLCC)
C58	100n	1206	(Generic X7R MLCC)
C59	100n	1206	(Generic X7R MLCC)
C60	100n	1206	(Generic X7R MLCC)
C61	100n	1206	(Generic X7R MLCC)
C62	100n	1206	(Generic X7R MLCC)
C63	100n	1206	(Generic X7R MLCC)
C64	100n	1206	(Generic X7R MLCC)
C65	100n	1206	(Generic X7R MLCC)
C66	100n	1206	(Generic X7R MLCC)
C67	100n	1206	(Generic X7R MLCC)
C68	1u	1206	(Generic X7R MLCC)
C69	1u	1206	(Generic X7R MLCC)
C70	10u	SMCB	(Generic Tantalium)
C71	10u	SMCB	(Generic Tantalium)
C72	10u	SMCB	(Generic Tantalium)
C73	10u	SMCB	(Generic Tantalium)
C74	10u	SMCB	(Generic Tantalium)
C75	33u	SMCD	(Generic Tantalium)
C76	33u	SMCD	(Generic Tantalium)

-Ferrite Beads-----

FB1	FB43	6 turns	(6 turns 0.3mm enameled copper)
FB2	FB43	6 turns	(6 turns 0.3mm enameled copper)
FB3	BN73-2402	2 turns	(2 turns 0.8mm enameled copper)
FB4	BN73-2402	2 turns	(2 turns 0.8mm enameled copper)

-Transformers-----

T1	1:4	BN43-2402	(Binocular mix 43 bead, 7 bifilar turns, 0.5mm enameled) (or MCL ADTT4-1, T4-1 etc)
----	-----	-----------	--

-Integrated Circuits-----

IC1	AD8221ARZ	SOIC-8	(Analog Devices Inc, Instrumentation amplifier)
IC2	AD8221ARZ	SOIC-8	(Analog Devices Inc, Instrumentation amplifier)
IC3	FSAV331MTCX	TSSOP-16	(Fairchild Semiconductor, Video Switch 2x4:1)
IC4	SN74AC74D	SOIC-14	(Texas Instruments, Dual D-type Flip Flop)
IC5	LME49710MA	SOIC-8	(National Semiconductor, Audio Opamp)
IC6	LME49710MA	SOIC-8	(National Semiconductor, Audio Opamp)
IC7	UA78L05CD	SOIC-8	(Texas Instruments, 5V regulator)
IC8	LM2940IMP-12	SOT223-4	(National Semiconductor, 12V LDO regulator)
IC9	LM2990S-12	TO263	(National Semiconductor, -12V LDO regulator)
IC10	FSA3157P6X	SC70-6	(Fairchild Semiconductor, SPDT bus-switch)
IC11	FSA3157P6X	SC70-6	(Fairchild Semiconductor, SPDT bus-switch)
IC12	FSA3157P6X	SC70-6	(Fairchild Semiconductor, SPDT bus-switch)
IC13	FSA3157P6X	SC70-6	(Fairchild Semiconductor, SPDT bus-switch)
IC14	PCF8574AT	SOIC-16W	(NXP Semiconductors, I2C 8-bit IO-expander)

## -Transistors -----

Q7	MMBFJ310LT1G	SOT23-3	(ON-Semiconductor N-JFET)
Q8	MMBT3904	SOT23-3	(Fairchild Semiconductor, NPN transistor)

## -Crystals -----

Q1	8.997M	HC-49	(QT Quarztechnik GmbH, specification 20100J1M1045)
Q2	8.997M	HC-49	(QT Quarztechnik GmbH, specification 20100J1M1045)
Q3	8.997M	HC-49	(QT Quarztechnik GmbH, specification 20100J1M1045)
Q4	8.997M	HC-49	(QT Quarztechnik GmbH, specification 20100J1M1045)
Q5	8.997M	HC-49	(QT Quarztechnik GmbH, specification 20100J1M1045)
Q6	8.997M	HC-49	(QT Quarztechnik GmbH, specification 20100J1M1045)

## -Connectors-----

J1	BFO IN	SMA	(Card edge SMA female connector)
J2	Q OUT	SMA	(Card edge SMA female connector)
J3	I OUT	SMA	(Card edge SMA female connector)
J4	IF IN	SMA	(Card edge SMA female connector)
J5	pin-header	2X02	(2x2 pin header)
I2C-HEADER	I2C-bus	ML10L	(10 pin male flatcable connector)
X1	MSTBA	MSTBA 2.5/3-G-5.08	(conn header rt ang 3pos 5.08mm, PhoenixContact 1757255)
X1	MSTBA	MSTB 2.5/3-ST-5.08	(conn term block plug 3pos 5.08mm, PhoenixContact 1757022)

PA3AKE 14/05/2011

DETECTOR Rev-C

