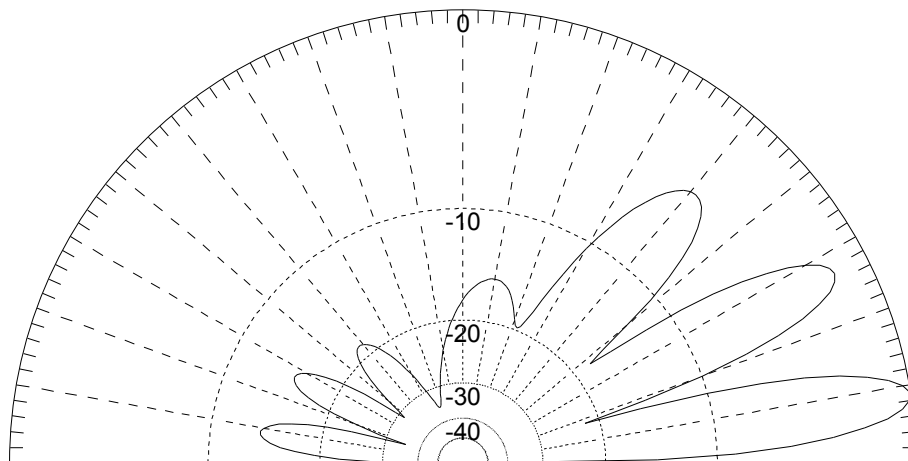
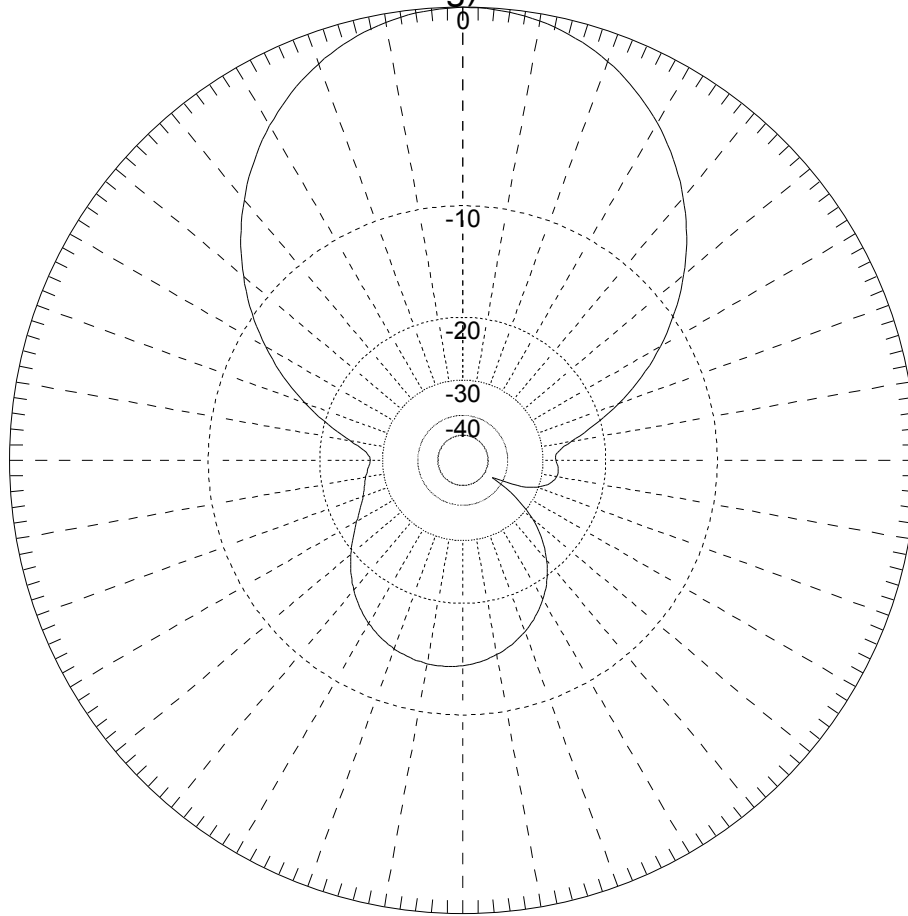


MMANA-GAL v. 1.2.0.20

HB9CV 10m (gamma-Match 50 Ohm feeding)



Ga : 13.64 dBi = 0 dB (Horizontal polarization)
F/B: 13.60 dB; Rear: Azim. 120 dg, Elev. 60 dg
Freq: 28.500 MHz
Z: 50.064 - j6.490 Ohm
SWR: 1.1 (50.0 Ohm),
Elev: 8.6 dg (Real GND :17.00 m height)