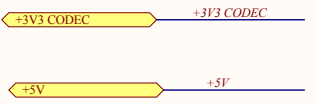
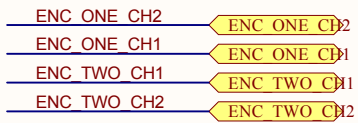
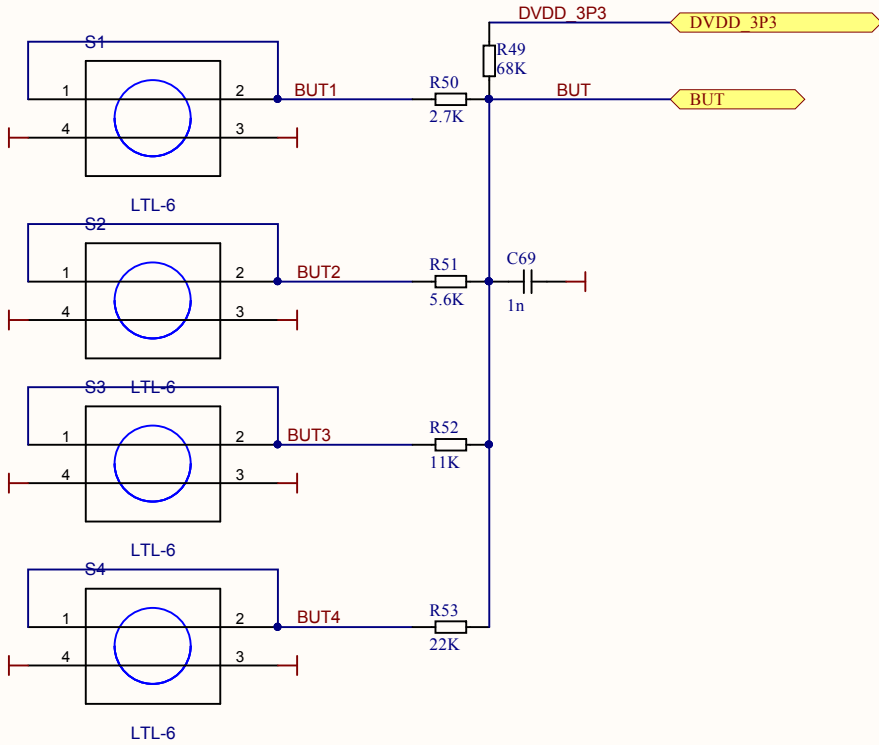
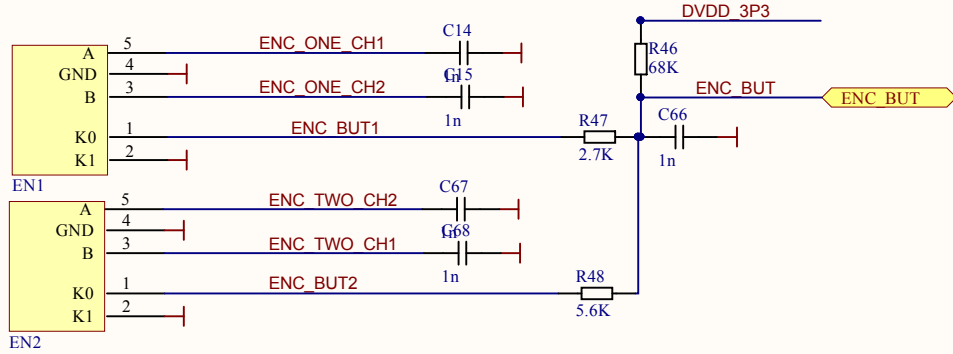


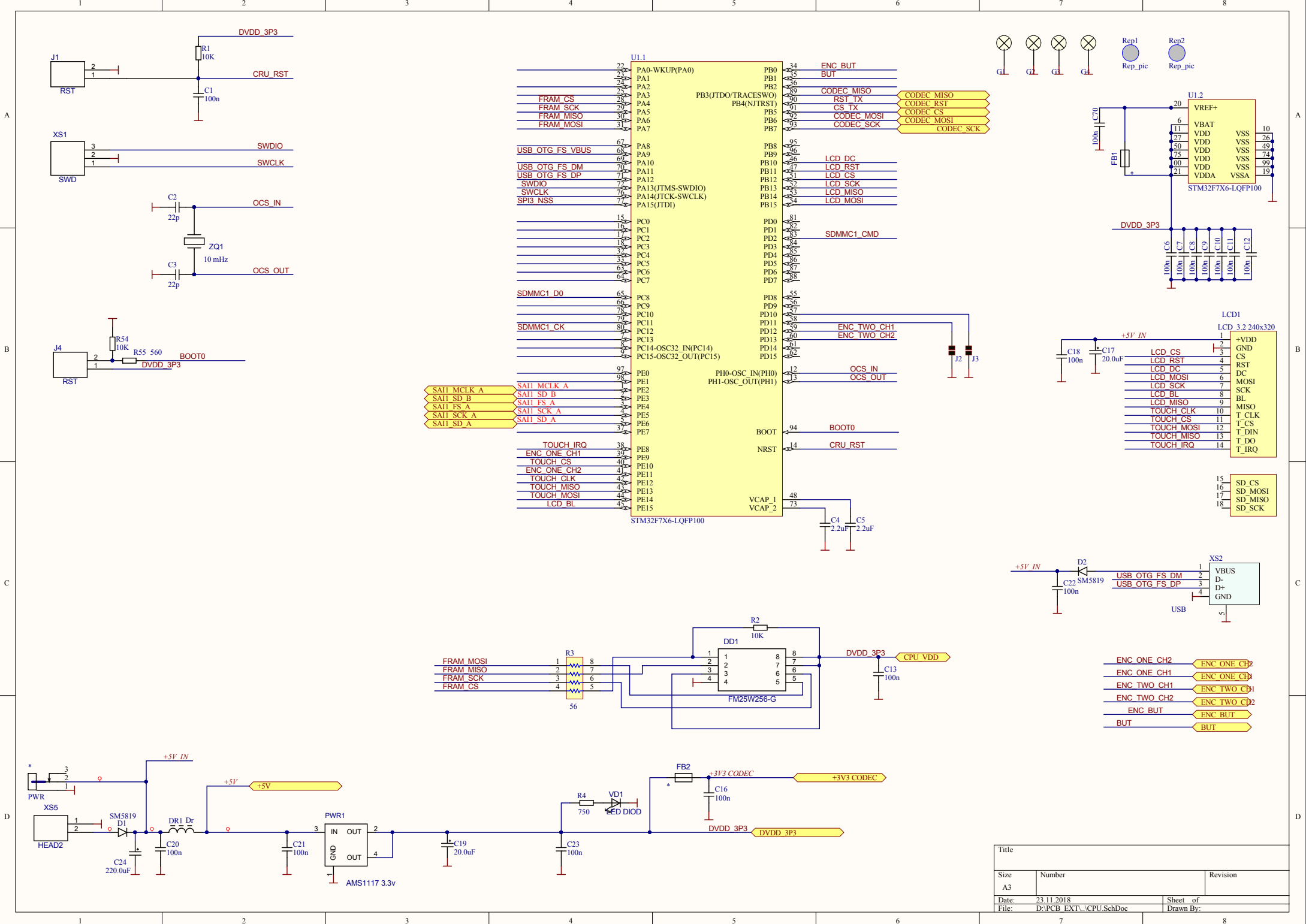
DD2	CS4272	TX
1 XTO	28 bMUTE	TX AOUTB-
2 XTI	27 AOUTB-	TX AOUTB-
3 MCLK	26 AOUTB+	TX AOUTB+
4 LRCK	25 AOUTA+	TX AOUTA+
5 SCLK	24 AOUTA-	TX AOUTA-
6 SDO/OUT	23 AMUTE	TX AOUTA-
7 SDIN	22 FILT+	TX FILT+
8 DGND	21 AGND	TX FILT+
9 VD	20 VA	+5V TX
10 VL	19 AINB-	TX AINB-
11 CODEC SCK	18 AINB+	TX AINB-
12 CODEC MOSI	17 AINA+	TX AINA+
13 CODEC CS	16 AINA-	TX AINA-
14 CODEC RST	15 VCOM	TX VCOM



Title		
Size	Number	Revision
A3		
Date:	23.11.2018	Sheet of
File:	D:\PCB_EXT\...\CODEC.SchDoc	Drawn By:



Title		
Size A4	Number	Revision
Date:	23.11.2018	Sheet of
File:	D:\PCB_EXT\...\CONTROL.SchDoc	Drawn By:



Title		
Size	Number	Revision
A3		
Date:	23.11.2018	Sheet of
File:	D:\PCB_EXT\...CPU.SchDoc	Drawn By:

