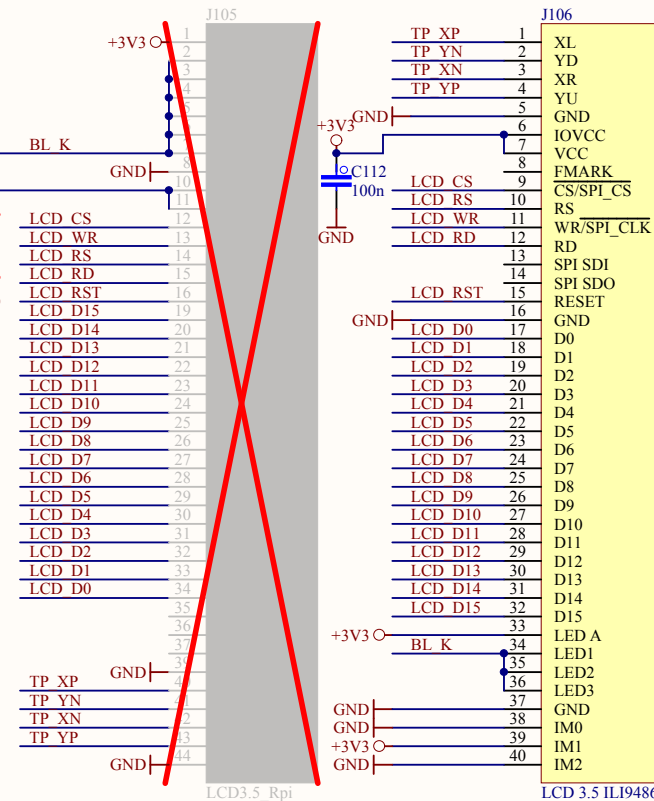
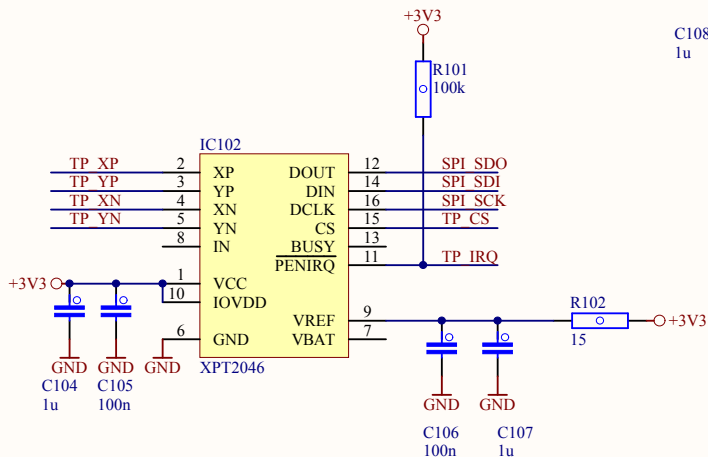
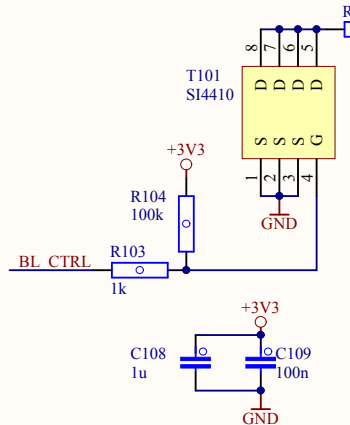
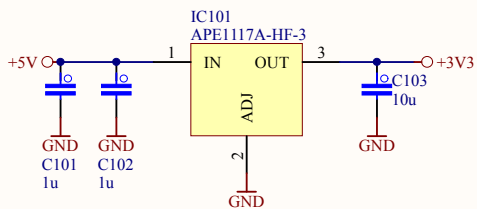
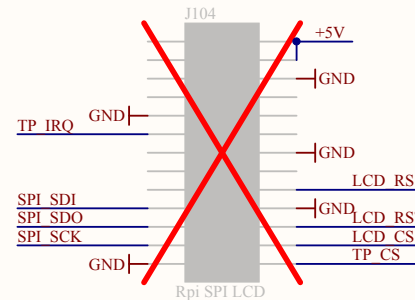
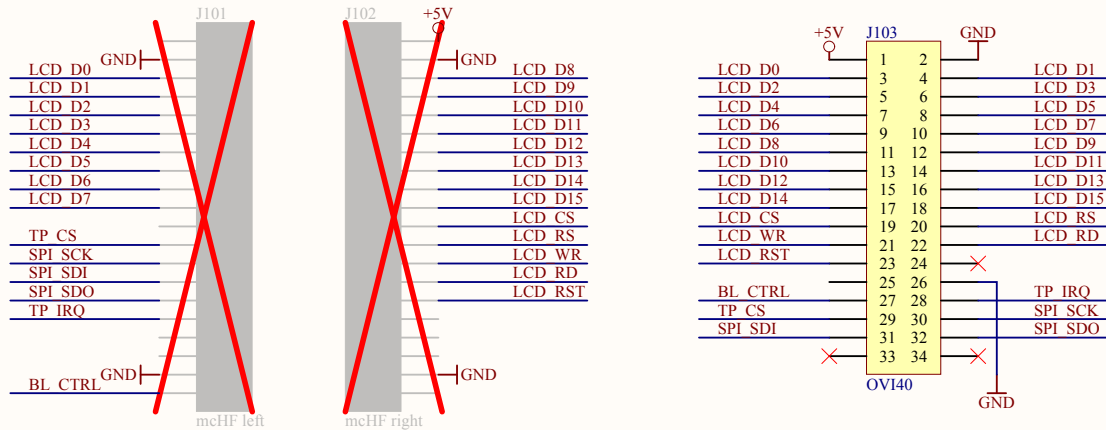
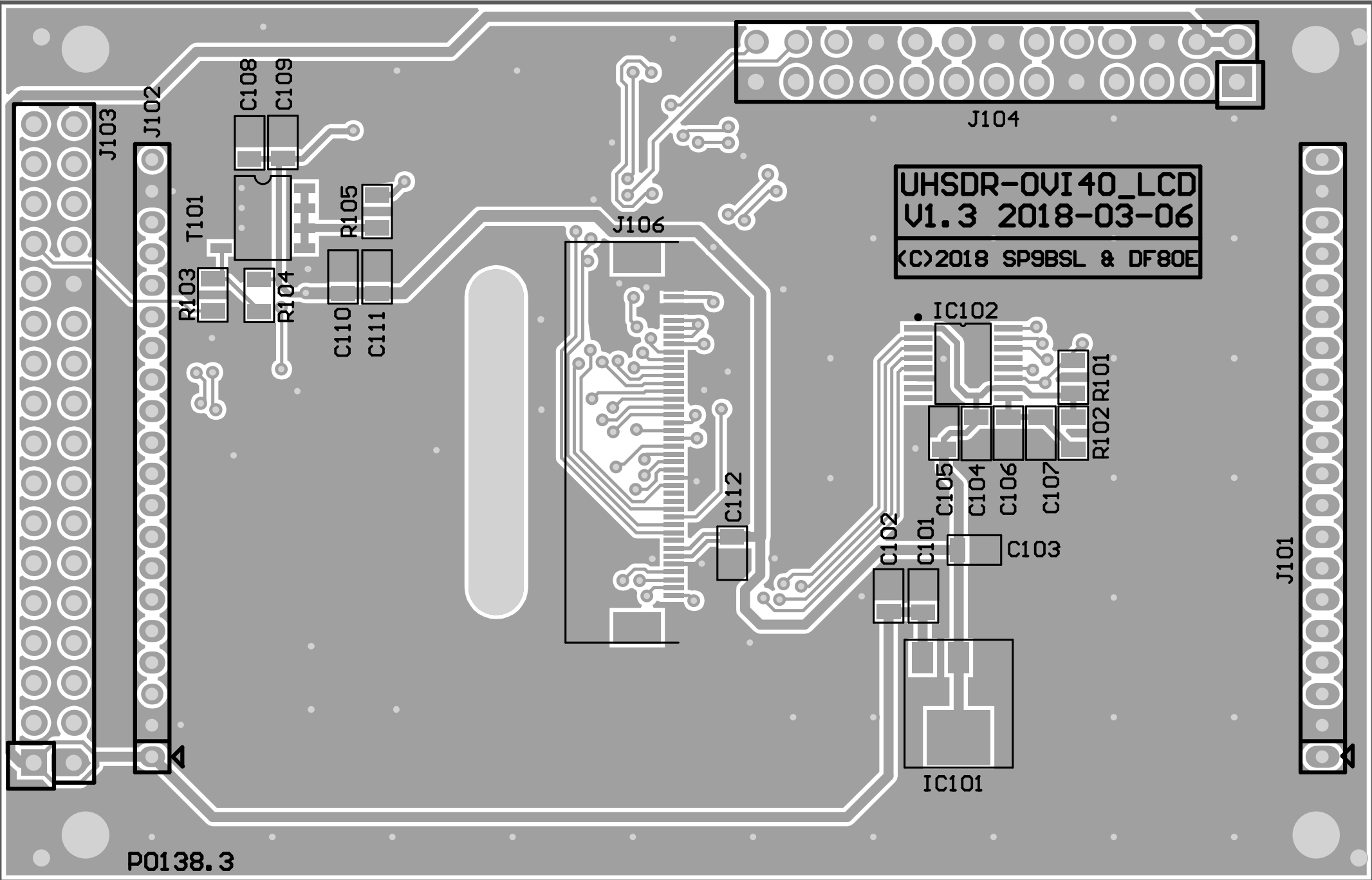


UI board connectors



Title		
OVI40/mcHF led adapter		
Size	Number	Revision
A4		1.3
Date:	2018-03-14	Sheet 1 of 1
File:	F:\works\13_5 LCD adapter\SchDoc	Drawn By: SP9BSL



UHSDR-OVI40_LCD
V1.3 2018-03-06
<C>2018 SP9BSL & DF80E

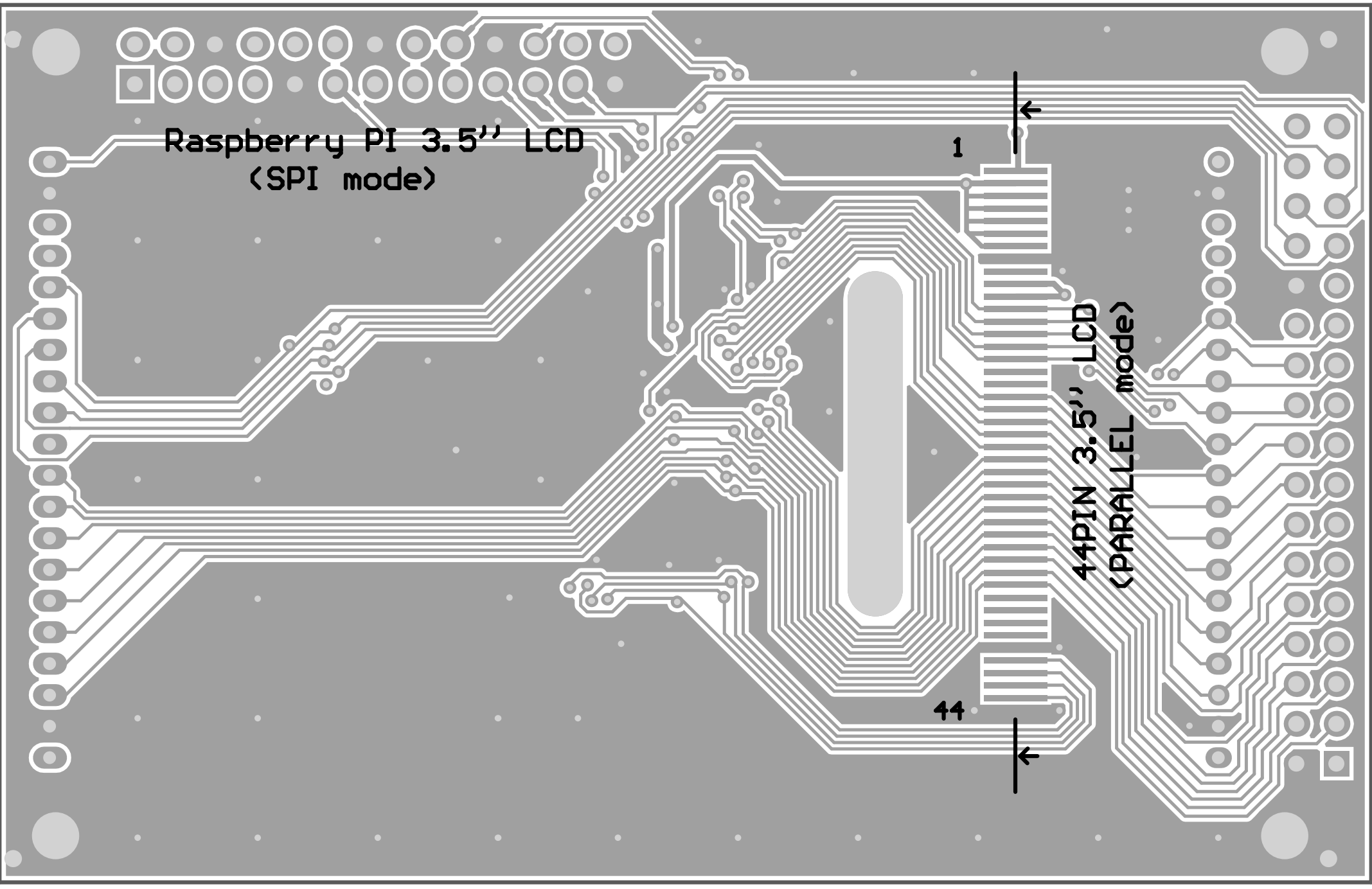
P0138.3

Raspberry PI 3.5" LCD
(SPI mode)

1

44PIN 3.5" LCD
(PARALLEL mode)

44



Designator	Comment	Quantity
C101, C102, C104, C107, C108	1u	5
C103	10u	1
C105, C106, C109, C112	100n	4
IC101	APE1117A-HF-3	1
IC102	XPT2046	1
J103	OVI40	1
J106	LCD 3.5 ILI9486	1
R101, R104	100k	2
R102	15	1
R103	1k	1
R105	6R8	1
T101	SI4410	1