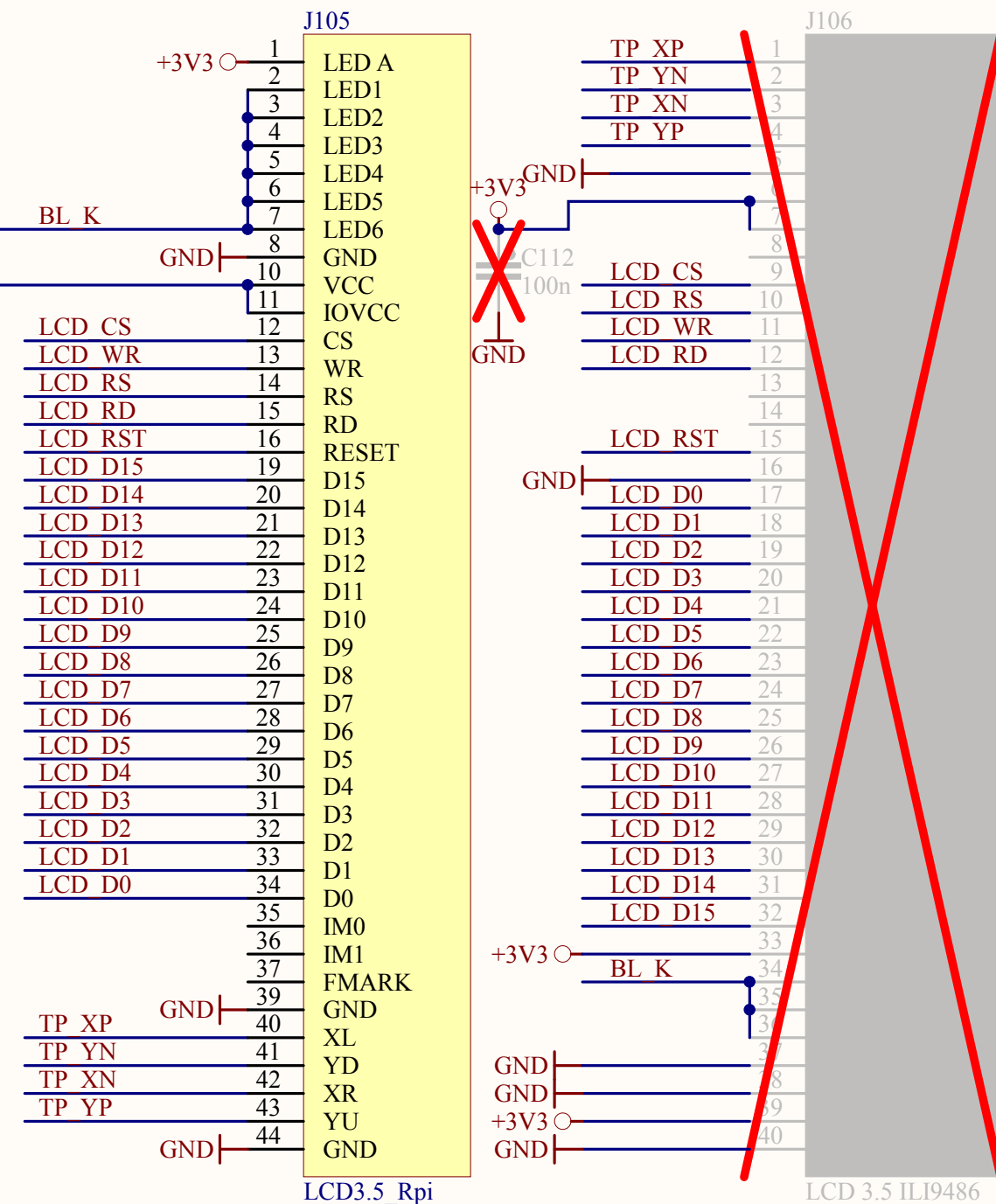
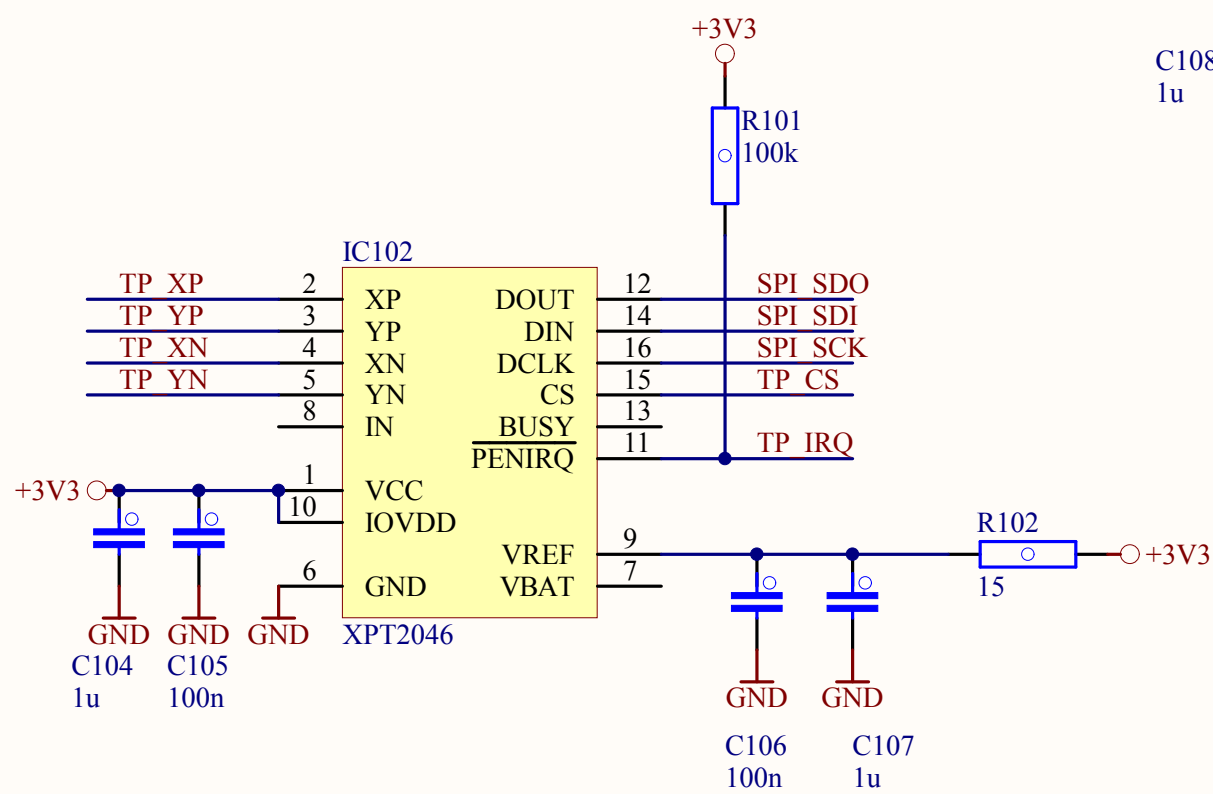
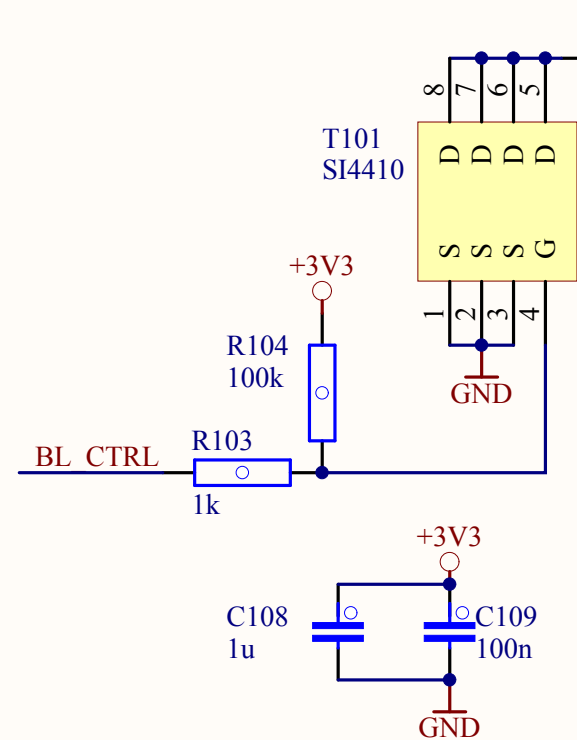
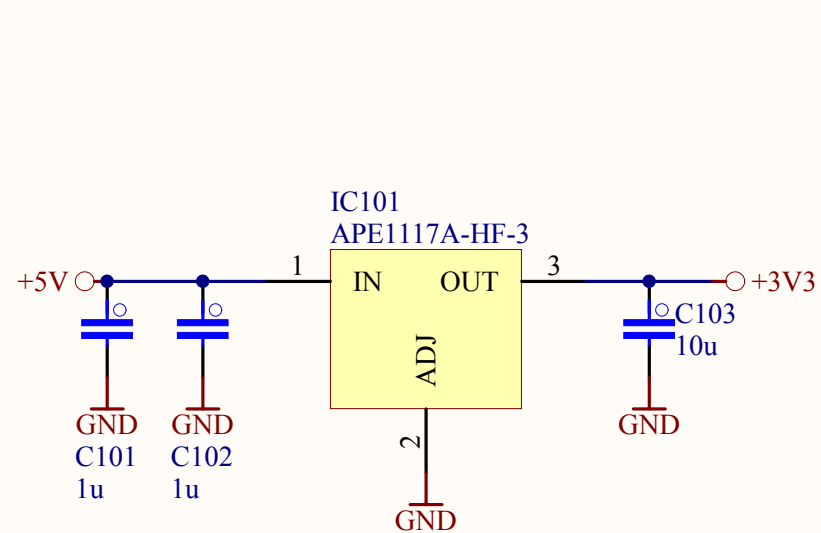
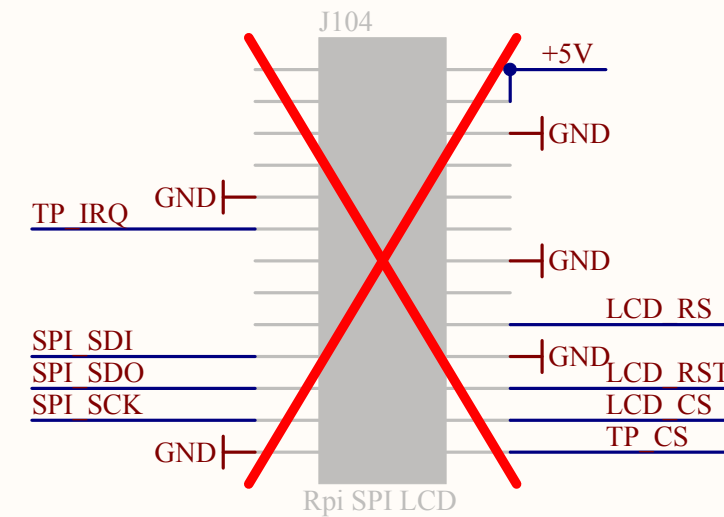
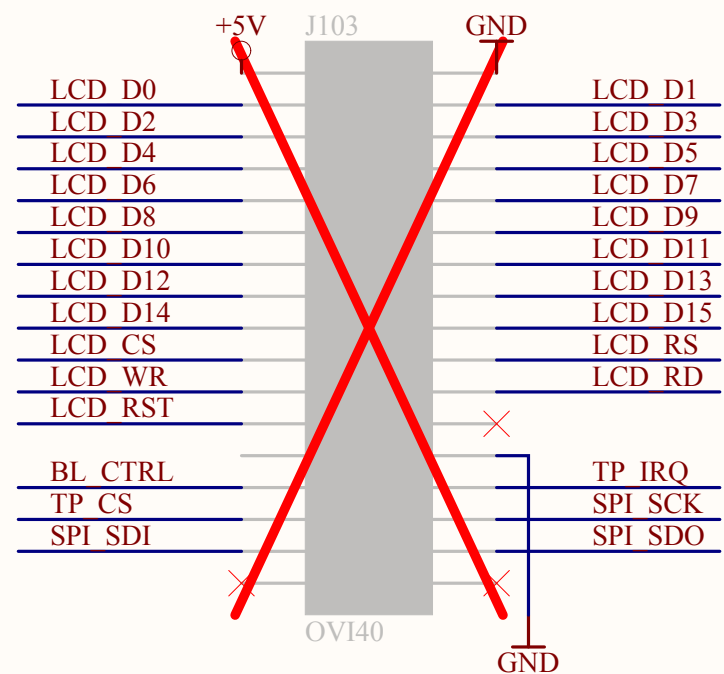
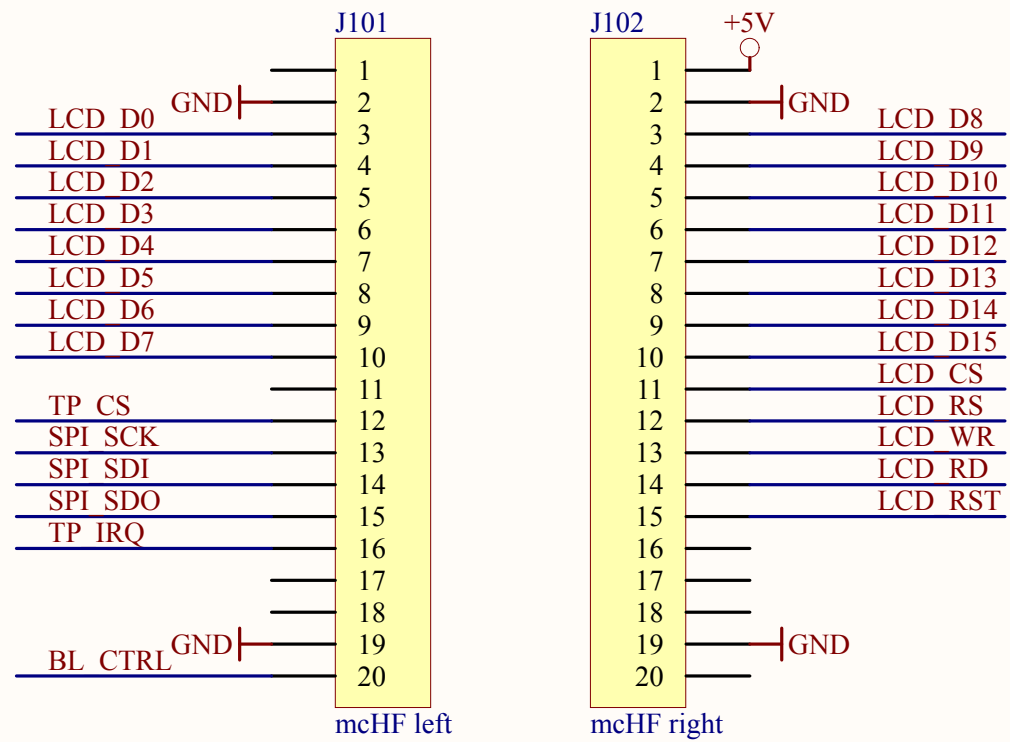
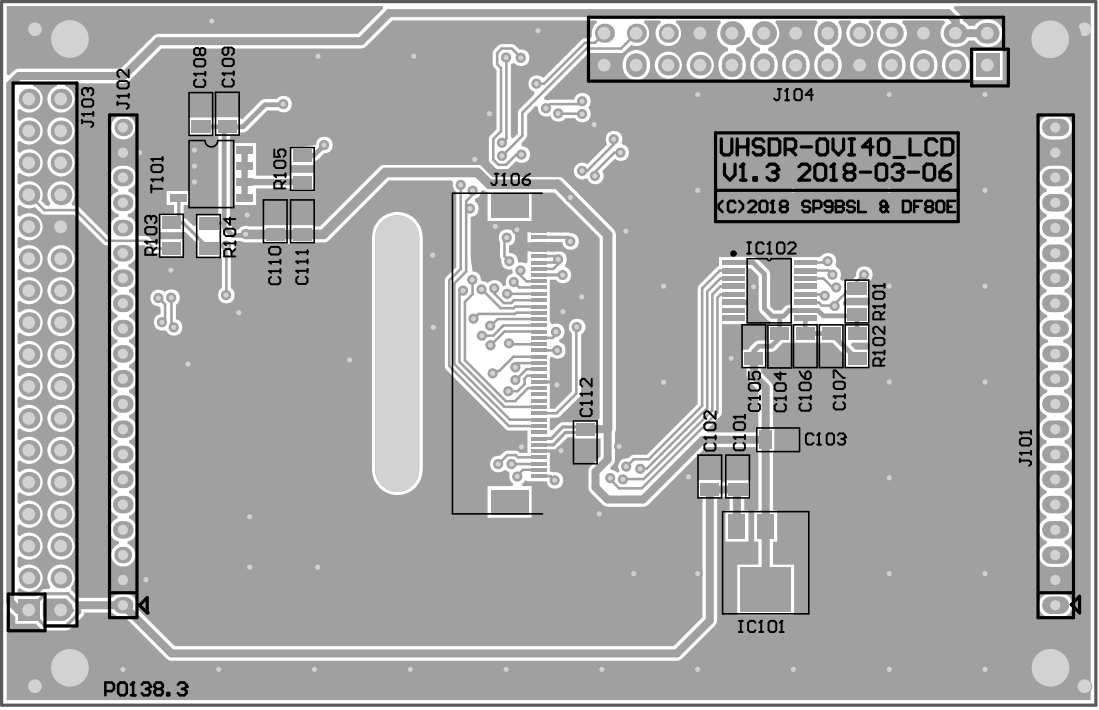


UI board connectors



Title			OVI40/mchF lcd adapter		
Size	Number		Revision		1.3
A4					
Date:	2018-03-14		Sheet 1 of 1		
File:	F:\works\...\3 5 LCD adapter.SchDoc		Drawn By:		SP9BSL



UHS DR-OVI 40_LCD
V1.3 2018-03-06
<C>2018 SP9BSL & DF80E

Raspberry Pi 3.5" LCD
(SPI mode)

1

44PIN 3.5" LCD
(PARALLEL mode)

44

Designator	Comment	Quantity
C101, C102, C104, C107, C108, C110	1u	6
C103	10u	1
C105, C106, C109, C111	100n	4
IC101	APE1117A-HF-3	1
IC102	XPT2046	1
J101	mcHF left	1
J102	mcHF right	1
J105	LCD3.5_Rpi	1
R101, R104	100k	2
R102	15	1
R103	1k	1
R105	6R8	1
T101	SI4410	1