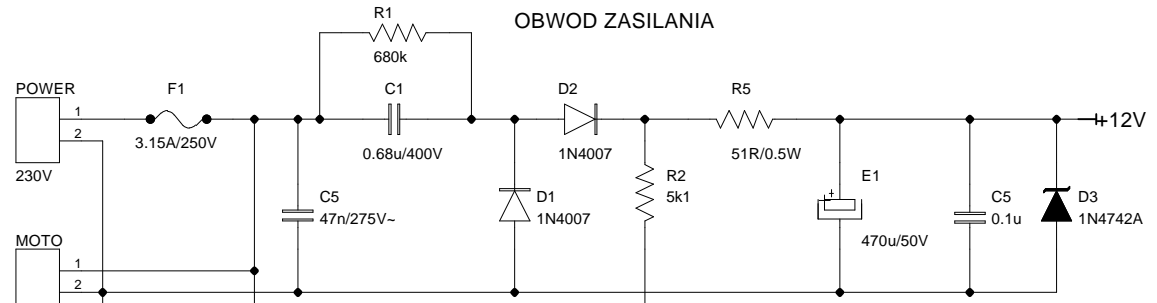
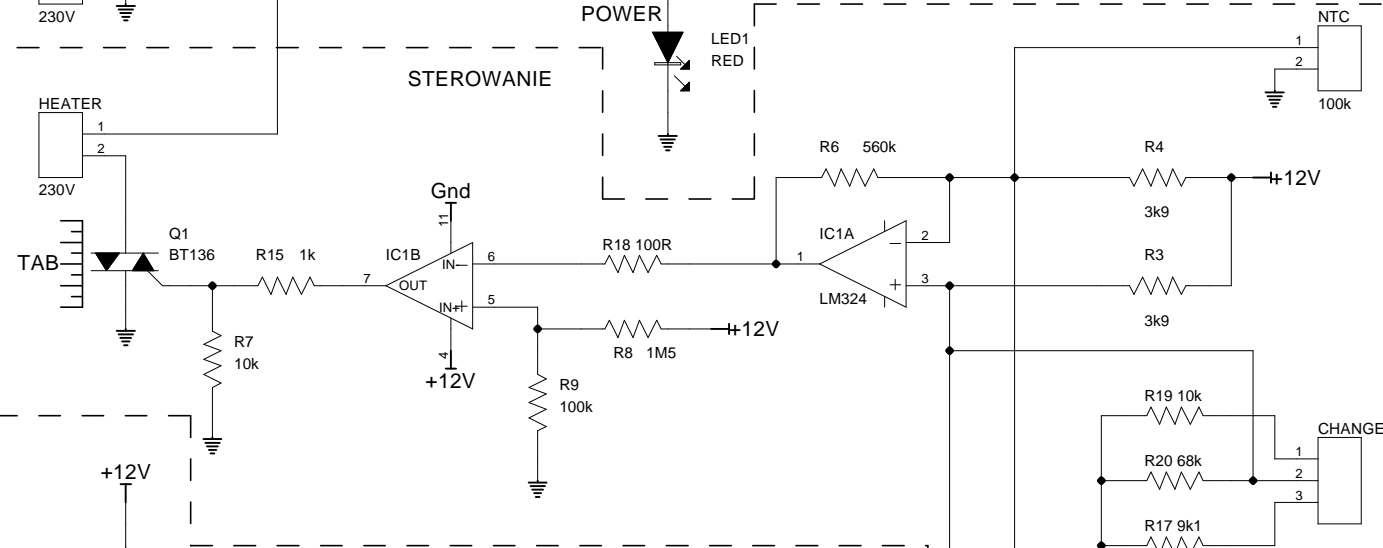


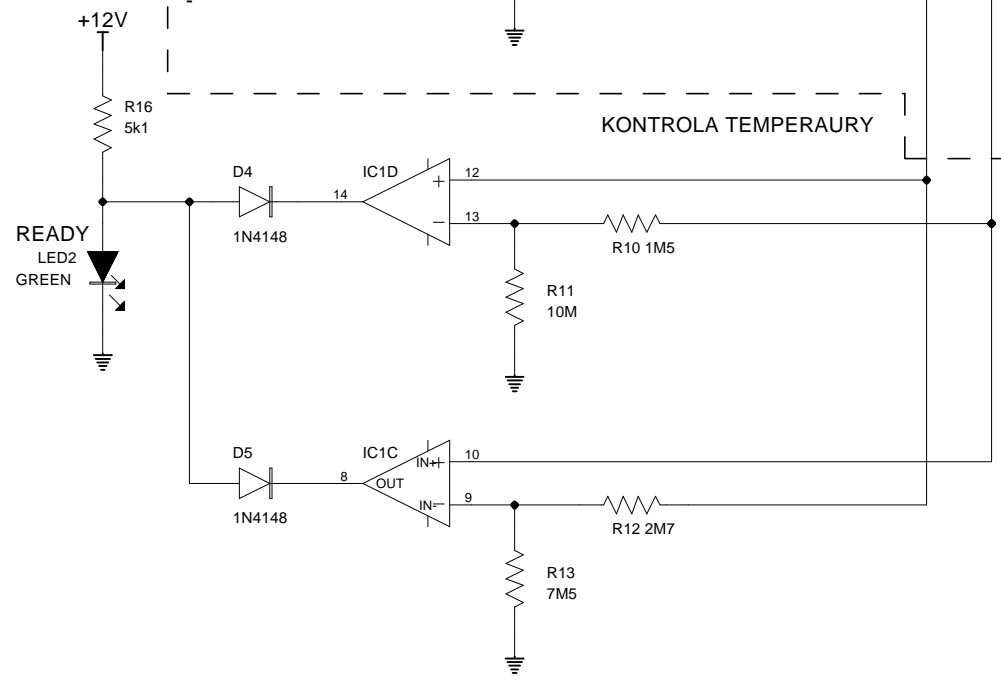
OBWOD ZASILANIA



STEROWANIE



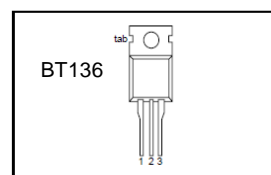
KONTROLA TEMPERAURY



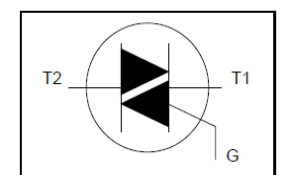
PINNING - TO220AB

PIN	DESCRIPTION
1	main terminal 1
2	main terminal 2
3	gate
tab	main terminal 2

PIN CONFIGURATION



SYMBOL



-----		AC	
-----		<Address #3>	
-----		<Address #4>	
-----		Sheet Title:	
-----		KH4410 LERVIA KESUN-KH4410-5-520	
Sheet File Name:	Size:	Document Number:	Rev.:
KH4410.sch	A4	<Document #>	<Rev.>
Sheet Creation date:	Modification date:	SHEET <Folio> OF <Nb Folio>	
10-01-16	118-01-16		