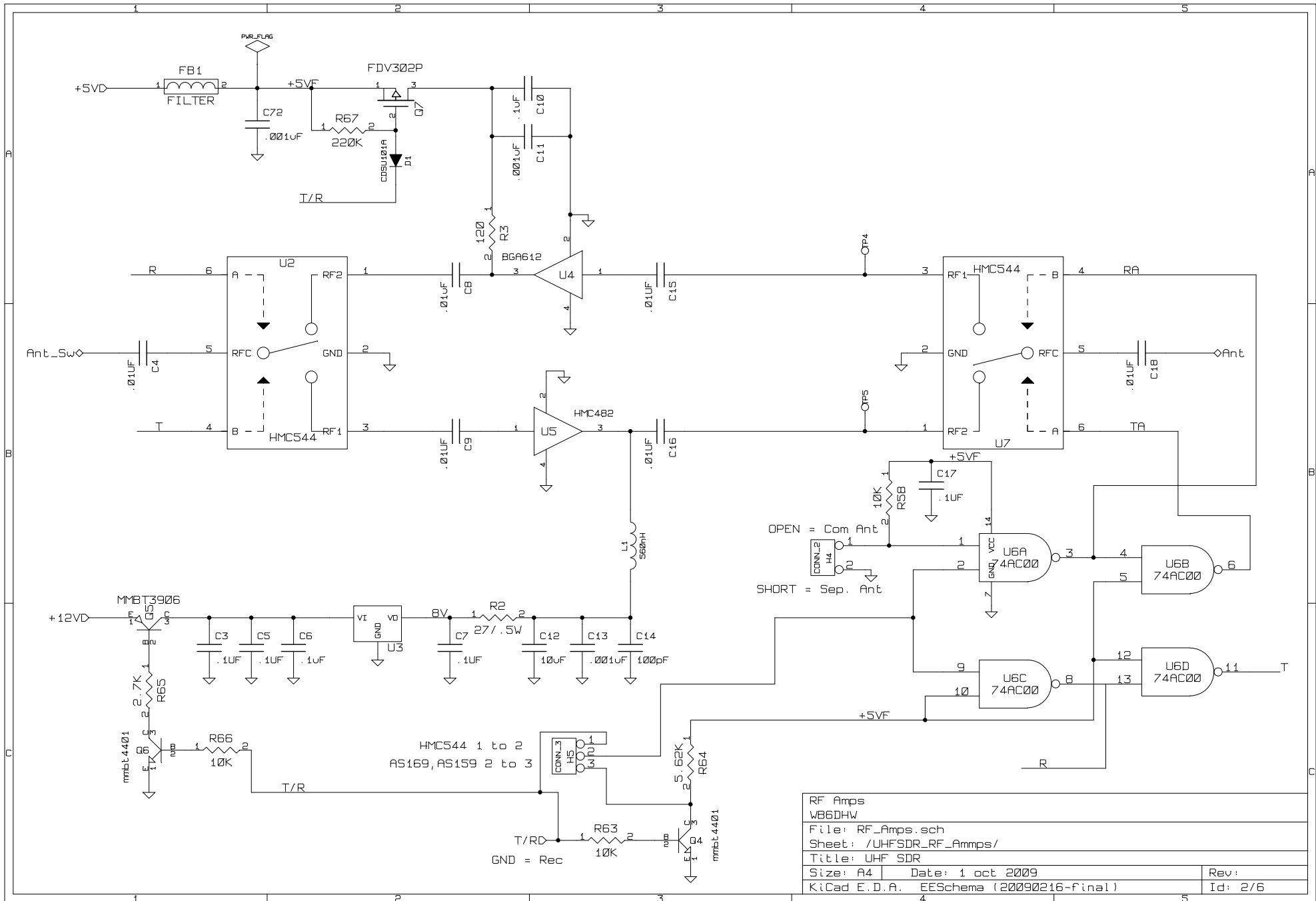
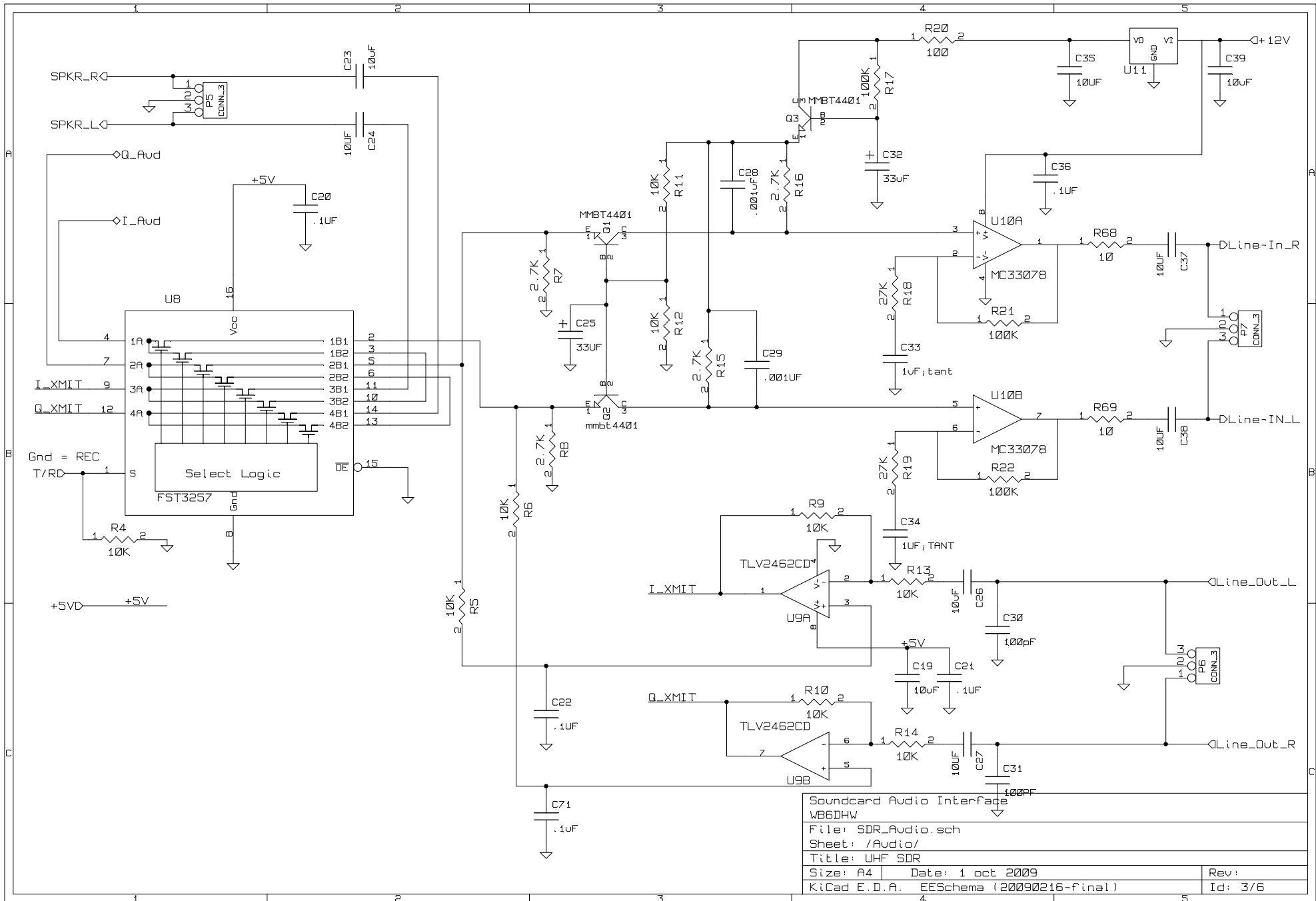
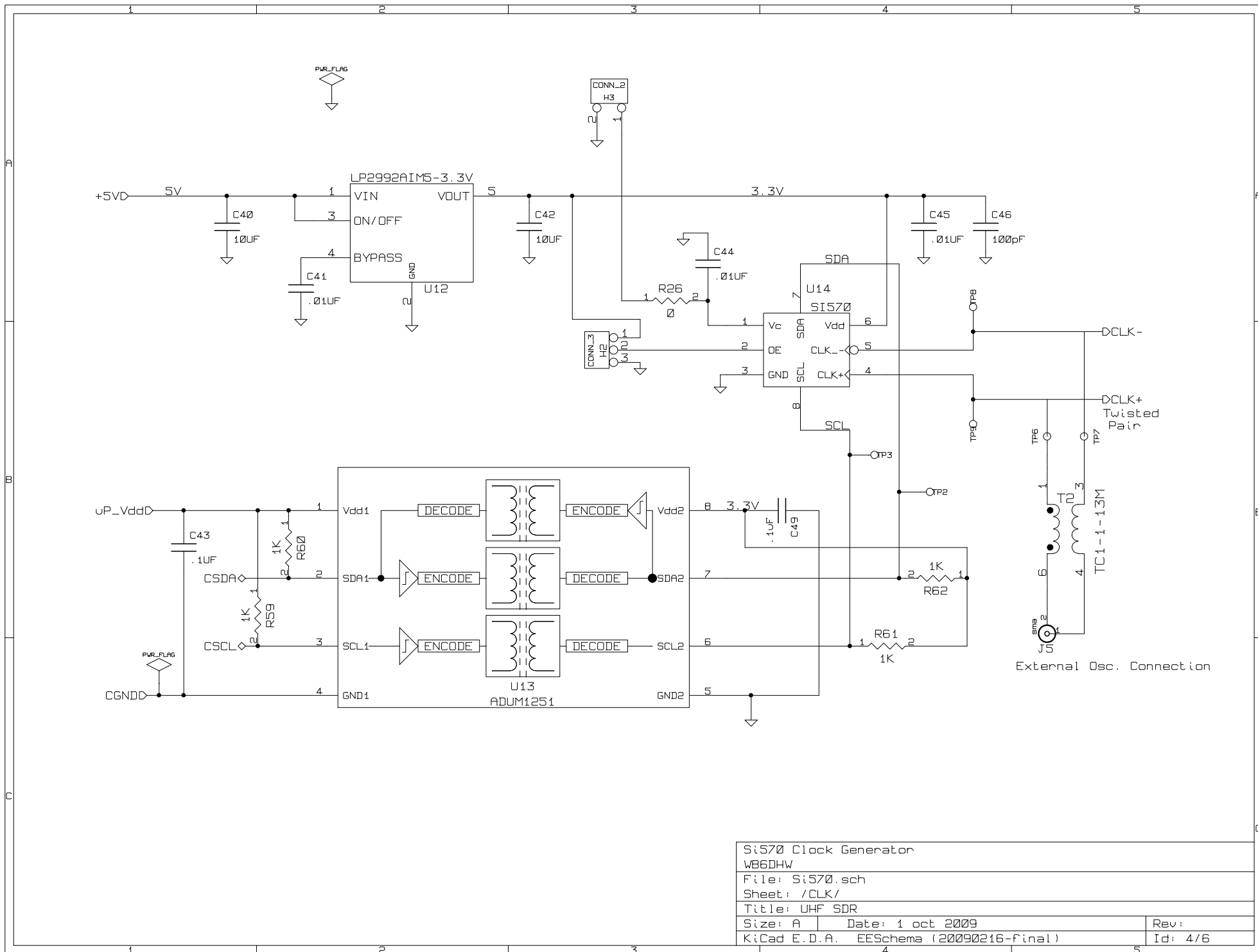


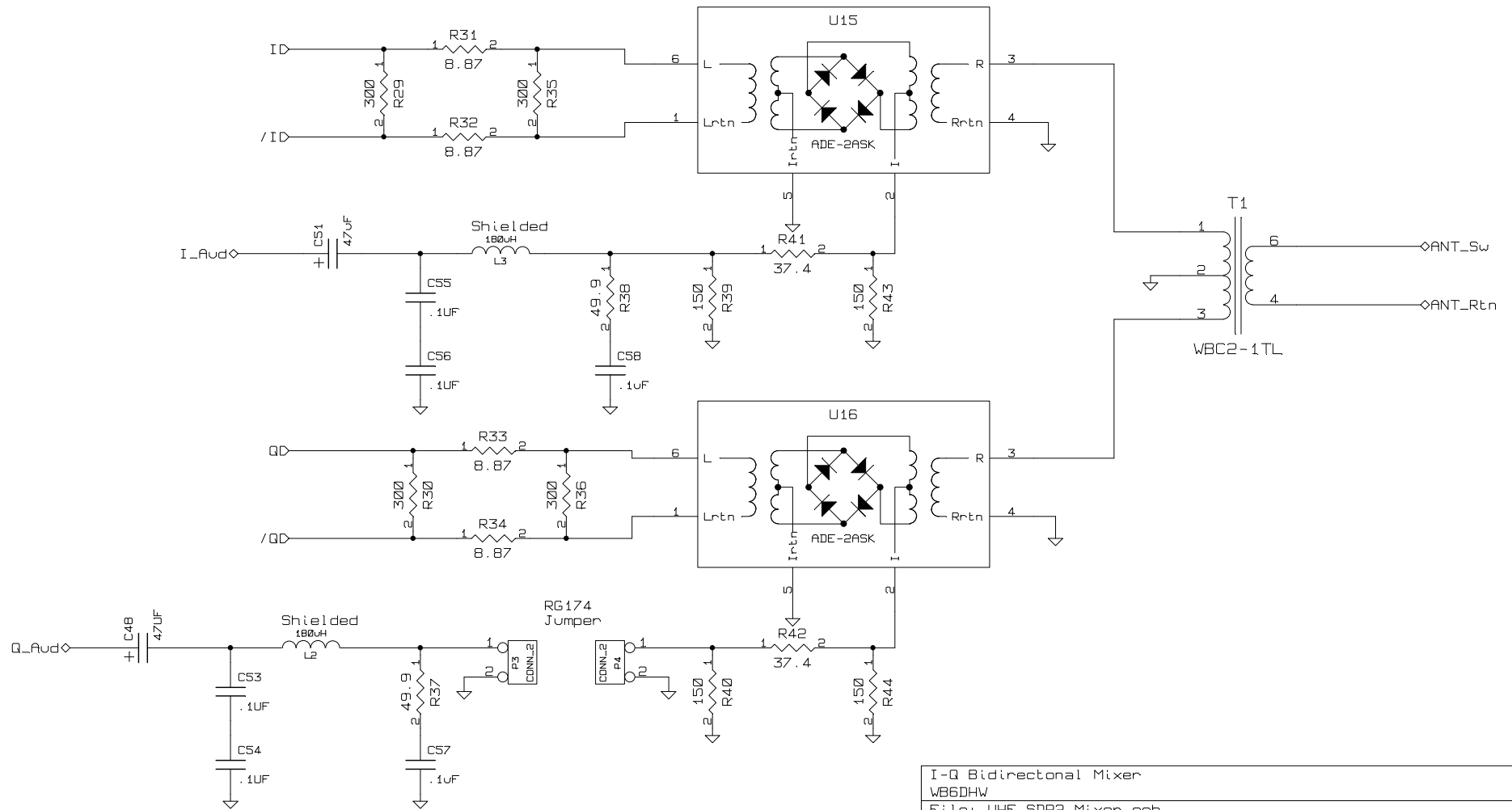
WB6DHW	
File: UHF_SDR2.sch	
Sheet: /	
Title: UHF SDR	
Size: A4	Date: 1 oct 2009
KiCad E.D.A. EESchema (20090216-final)	
Rev:	Id: 1/6







Si570 Clock Generator		
WB6DHW		
File: Si570.sch		
Sheet: /CLK/		
Title: UHF SDR		
Size: A	Date: 1 oct 2009	Rev:
KiCad E.D.A. EESchema (20090216-final)		Id: 4/6



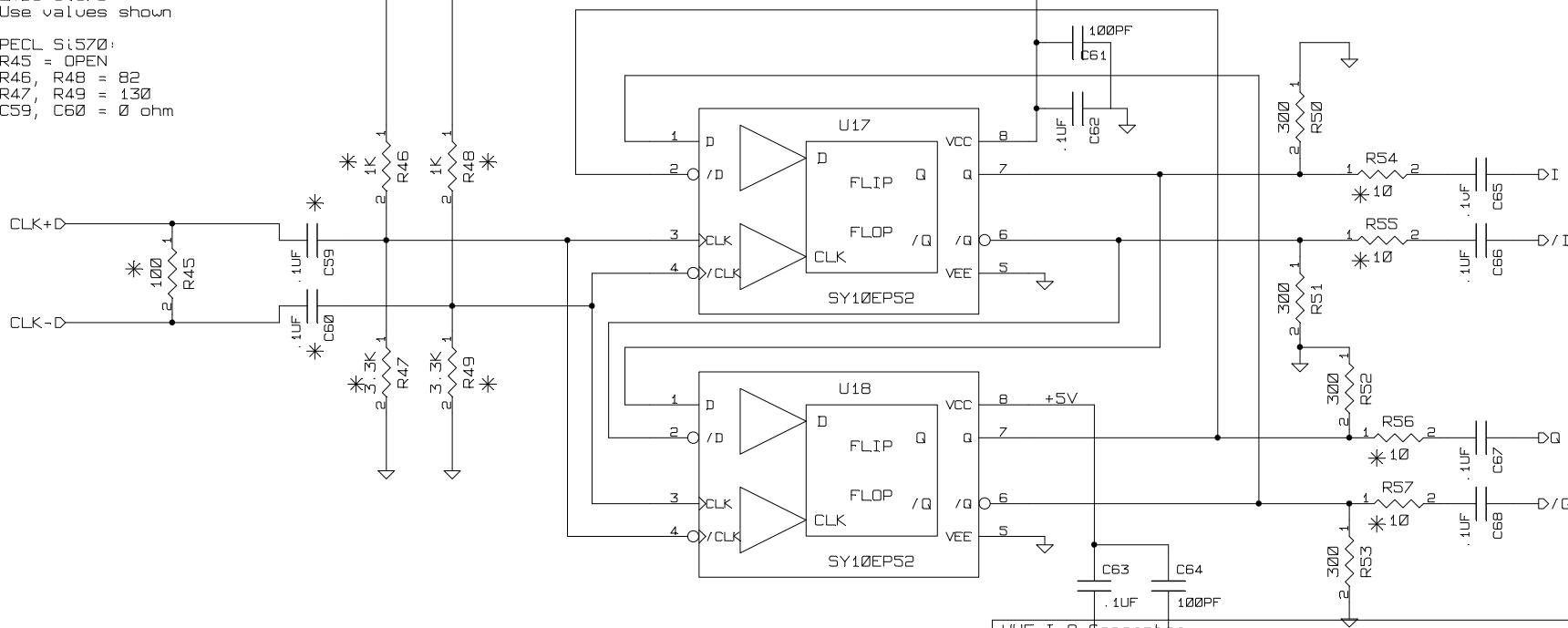
I-Q Bidirectional Mixer	
WB6DHW	
File: UHF_SDR2_Mixer.sch	
Sheet: /Mixer/	
Title: UHF SDR	
Size: A4	Date: 1 oct 2009
KiCad E.D.A. EESchema (20090216-final)	
Rev:	Id: 5/6

+5V

LVDS Si570:
Use values shown

PECL Si570:
R45 = OPEN
R46, R48 = 82
R47, R49 = 130
C59, C60 = 0 ohm

* Pick for best
match to DBM



UHF I-Q Generator	
WB6DHW	
File: SDR2_IQGEN.sch	
Sheet: /IQGEN/	
Title: UHF SDR	
Size: A4	Date: 1 oct 2009
KiCad E.D.A. EESchema (20090216-final)	
Rev:	Id: 6/6